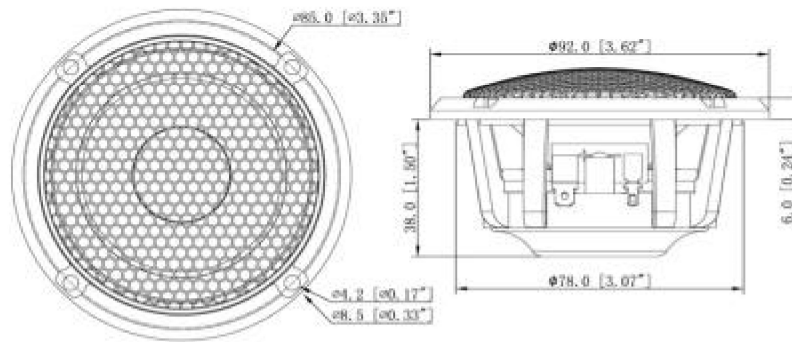


## Midrange installation size:



## Midrange technical parameter

Cone material: Composite coner

Voice coil size: 25mm

DC Impedance:  $3.6\Omega$

Rated power input: 30W

Frequency response: 100-15000Hz

SPL: 85 dB

Qms: 3.78

Qes: 1.13

Qts: 0.87

Vas: 1.61 Ltr

Weight: 0.225kg

Mounting Depth: 41 mm

Mounting Diameter: 79 mm